



BIDS AND AWARDS COMMITTEE (BAC)

BID BULLETIN NO. 01

25 October 2021

“CONSTRUCTION OF BCEZ MULTI-PURPOSE CENTER” (PR21-10-064)

This Bulletin is issued to augment/clarify the specifications set by the office on the items for bidding as discussed during the Pre-bid Conference held on October 22, 2021, 9 am at the Baguio City Economic Zone Administration Building, and via Microsoft Teams.

1. The First Aider requirement may be of any profession as long as he/she complies with the Red Cross Certificate of Training in compliance to the DOLE requirements.
2. The required experience for Safety officer is **three (3)** years.
3. The Curriculum Vitae format is being provided together with this Bulletin for uniformity and ease of evaluation.
4. The DUPA format to be followed shall be that from the DPWH.
5. Barracks intended for the workers of the project is prohibited within the Baguio City Economic Zone. Prospective bidders are advised to review Annex 3 of the project's uploaded bidding documents.
6. The contractor/supplier has the option where to tap water and power. For PEZA Water Application, it will be at the Engineering and Maintenance Division (1st floor), and the Electrical Application will be at TRANSCO which is at the 3rd Floor of the PEZA Admin Bldg. Further details are indicated in the Bidding Documents' Annex 3.
7. It is highly appreciated if the bidding documents to be submitted by the supplier has ear tabbing matching that with their table of contents for easier review of the BAC and TWG.
8. Concerns brought out about the electrical plans details will be updated and be part of this Bid Bulletin as Annexes. The updated electrical plans will replace sheet no. 34,35 & 36 of drawings on Bid Docs.
9. Conduits are RSC or Equivalent.
10. No grounding conductor for feeders and outlets at the Comfort Rooms have no GFCI Protection.
11. The PEZA-BCEZ requirement of Tanguile Flooring for the court shall be retained.
12. PEZA shall provide a standard format for the List of Equipment.
13. Sealing and Marking of bids are still required. The plastic is more of a precaution brought about by the pandemic.
14. NCII Certificates for the Plumber, Welder, Electrician are not necessarily required, as PEZA will be looking at the years of experience.

Please be guided accordingly.

(SGD)ENGR. PAUL M. CODAMON
BCEZ BAC Chairperson

Contract Name:
Location of the Project:

CURRICULUM VITAE

Proposed Position: _____
Name of Firm: _____
Name of Staff: _____
Profession: _____
Date of Birth: _____
Tax Identification No. (TIN) _____
Years with Firm/Entity: _____ Nationality: _____
Membership in Professional Societies: _____

Detailed Tasks Assigned: _____

Key Qualifications:

[Give an outline of staff member's experience and training most pertinent to tasks on project. Describe degree of responsibility held by staff member on relevant previous projects and give dates and locations. Use about half a page.]

Education:

[Summarize college/university and other specialized education of staff members, giving names of schools, dates attended, and degrees obtained. Use about one quarter of a page.]

Employment Record:

[Starting with present position, list in reverse order every employment held. List all positions held by staff member since graduation, giving dates, names of employing organizations, titles of positions held, and locations of projects. For experience in last ten years, also give types of activities performed and client references, where appropriate. Use about two pages.]

Languages:

[For each language, indicate proficiency: excellent, good, fair, or poor in speaking, reading, and writing.]

Certification:

I, the undersigned, certify that to the best of my knowledge and belief, these data correctly describe me, my qualifications, and my experience.

[Signature of staff member and authorized representative of the firm] Date: _____
Day/Month/Year

Full name of staff member: _____
Full name of authorized representative: _____

**PHILIPPINE ECONOMIC ZONE AUTHORITY
BAGUIO CITY ECONOMIC ZONE**

Contract Name:

Location of the Contract:

LIST OF CONTRACTOR'S MAJOR CONSTRUCTION EQUIPMENT UNITS TO BE ASSIGNED TO THE CONTRACT, SUPPORTED BY CERTIFICATIONS OF AVAILABILITY

Business Name:

Business Address:

Description	Model/Year	Capacity / Performance / Size	Plate No.	Motor No. / Body No.	Location	Condition	Proof of Ownership / Lease / Purchase
A. Owned							
1.							
2.							
3.							
4.							
5.							
B. Leased							
1.							
2.							
3.							
4.							
5.							
C. Under Purchase Agreements							
1.							
2.							
3.							
4.							
5.							

A. Attached are copies of sales invoice / Registration Certificate from LTO.

B. Attached are the certifications from the lessors that the equipment units under B (Leased) shall be available for this contract.

C. Attached are the certifications from the vendors that the equipment units under C (Under Purchase Agreements) shall be available for this contract.

Name and Signature of Bidder's Representative

Position

Company Name

Date: _____

Contract Name:
Location of the Project:

REPUBLIC OF THE PHILIPPINES)
CITY OF BAGUIO)S.S.

STATEMENT OF AVAILABILITY OF MAJOR CONSTRUCTION EQUIPMENT

I, _____, of legal age and residing at _____, affiant, after having been duly sworn in accordance with law, do hereby depose and state that:

1. I am the _____ of _____ with office address at _____:
2. That I will make available the various equipment intended for the use of the above-mentioned project;
3. That I further pledge and commit that all this equipment required for the project will be mobilized to the project site if awarded the above-mentioned project, until the project is completed;
4. That this affidavit is being executed by the undersigned to attest to the facts stated herein.

IN WITNESS WHEREOF, I have hereunto set my hand this ____ day of _____, 2021 at _____.

Bidder's Representative/Authorized Signatory

REPUBLIC OF THE PHILIPPINES)
CITY OF BAGUIO)S.S.

SUBSCRIBED AND SWORN to before me this ____ day of _____, 2021 in _____, Philippines. Affiant exhibiting to me his Community Tax Certificate No. _____ issued on _____ at _____.

Notary Public

Doc No : _____
Page No.: _____
Book No.: _____
Series of 2021

GENERAL ELECTRICAL NOTES:

- ALL ELECTRICAL WORKS SHALL COMPLY WITH THESE PLANS AND SPECIFICATIONS. THE APPLICABLE PROVISIONS OF THE LATEST EDITION OF THE PHILIPPINE ELECTRICAL CODE (PEC), THE RULES AND REGULATIONS OF THE LOCAL ENFORCING AUTHORITY AND THE REQUIREMENTS OF THE LOCAL POWER COMPANY.
- THE ELECTRICAL SERVICE POWER SHALL BE 1-PHASE, 2-WIRE, 230V AC, 60HZ.
- WIRING METHOD SHALL BE AS FOLLOWS:
RIGID STEEL CONDUIT OR POLYVINYL CHLORIDE CONDUIT SCHEDULE 40 SHALL BE USED AS SPECIFIED IN THE PLAN.
- ALL WIRES SHALL BE COPPER AND THERMOPLASTIC INSULATED TYPE "THHN" UNLESS OTHERWISE INDICATED IN THE PLAN. THE MINIMUM SIZE WIRE FOR POWER AND LIGHTING CIRCUIT HOMERUNS SHALL BE 3.5mm² AND INSULATED FOR 600VOLTS. LIKE WIRE, ALL CONDUCTORS SHALL BE COLOR-CODED. SMALLEST RACEWAY SHALL BE 15mmØ. (NOMINAL)
- ALL OUTLET BOXES SHALL BE GALVANIZED GAGE NO. 16 DEEP TYPE.
- ALL MATERIALS TO BE USED SHALL BE BRAND NEW AND APPROVED TYPE FOR PARTICULAR LOCATION AND PURPOSE OF USAGE.
- EQUIPMENT GROUNDING SYSTEM SHALL BE PROVIDED TO THE ELECTRICAL SYSTEM AS PER PHILIPPINE ELECTRICAL CODE REQUIREMENT.
- MOUNTING HEIGHT OF WIRING DEVICES SHALL BE AS FOLLOWS:
 - LIGHT SWITCH - 1.20M ABOVE FINISH FLOOR
 - CONVENIENCE OUTLET - 0.3M ABOVE FINISH FLOOR
- ALL ELECTRICAL WORKS SHALL BE DONE UNDER THE DIRECT AND IMMEDIATE SUPERVISION OF A DULY REGISTERED ELECTRICAL ENGINEER.

E GENERAL ELECTRICAL NOTES
11 NOT DRAWN TO SCALE

ELECTRICAL LEGENDS & SYMBOLS

	CIRCUIT RUN
	PANEL BOARD 01
	PANEL BOARD 02
	PANEL BOARD 03
	MAIN DISTRIBUTION PANEL
	RECESSED DOWNLIGHT, SLIM, 24W, 1700LM, DAYLIGHT, LED
	RECESSED DOWNLIGHT, SLIM, 12W, 800LM, DAYLIGHT, LED
	WALL TYPE LED, 18W, IP65, DIE CAST ALUMINUM
	FLOOD LAMP, ELECTRODELESS FLOURESCENT LAMP, 300W, AC 100-300V, 60Hz, PF: >0.95, LUMINANCE: 24000lm, IP65, 6500K, CRI: >80, NET WT.: 8.91KG, PRINCIPAL FREQUENCY: 230KHZ
	MOTION SENSOR LIGHT BULB, LED, 8W, 800 LUMENS
	DUPLEX OUTLET SET, HEAVY DUTY, 20A AMPACITY
	WIRING IN CONDUIT CONCEALED IN FLOOR
	WIRING IN CONDUIT CONCEALED IN CEILING
	1 GANG SWITCH
	2 GANG SWITCH
	3 GANG SWITCH
	GROUNDING ROD
	POWER ENTRANCE CAP

MAIN PANEL BOARD

FLUSH MOUNTED, NEMA 3 ENCLOSURE WITH GROUND TERMINAL

CKT. NO.	LOAD DESCRIPTION	VOLTS	CKT BREAKER				SIZE OF WIRE	SIZE OF CONDUITS	
			A.T.	A.F.	POLE	KAIC			
1	PANEL BOARD 1 - AT CONTROL ROOM	220	50		2		2-8.0 mm ² THHN STRANDED WIRE	30 mm Ø RSC	
2	PANEL BOARD 2 - AT CONTROL ROOM	220	50		2		2-8.0 mm ² THHN STRANDED WIRE	30 mm Ø RSC	
3	PANEL BOARD 3 - AT STAGE	220	50		2		2-8.0 mm ² THHN STRANDED WIRE	15 mm Ø RSC	
4	PROVISION FOR GATE 1 (G1)	220	40				2-8.0 mm ² THHN STRANDED WIRE	20 mm Ø RSC	
TOTAL CONNECTED LOAD		MAIN : 100AT, 100AF, 3P, 220V, 18 KAIC							
USE: 3-30mm ² THHN WIRE STRANDED 30mmØ RSC									

SUB-PANEL BOARD 01

FLUSH MOUNTED, NEMA 3 ENCLOSURE WITH GROUND TERMINAL

CKT. NO.	LOAD DESCRIPTION	VOLTS	CKT BREAKER				SIZE OF WIRE	SIZE OF CONDUITS	
			A.T.	A.F.	POLE	KAIC			
1	LIGHTING (3-300 w EFL)	220	20		2		2-3.5 mm ² THHN STRANDED WIRE	15 mm Ø RSC	
2	LIGHTING (4-300 w EFL)	220	20		2		2-3.5 mm ² THHN STRANDED WIRE	15 mm Ø RSC	
3	LIGHTING (bench, control room)	220	15		2		2-3.5 mm ² THHN STRANDED WIRE	15 mm Ø RSC	
4	CONVENIENCE OUTLET (bench, stage)	220	30		2		2-5.5 mm ² THHN STRANDED WIRE	15 mm Ø RSC	
5	CONVENIENCE OUTLET (Control room)	220	20		2		2-3.5 mm ² THHN STRANDED WIRE	15 mm Ø RSC	
6	SPARE	220	20		2		2-3.5 mm ² THHN STRANDED WIRE	15 mm Ø RSC	
TOTAL CONNECTED LOAD		MAIN : 50 AT, 50 AF, 2P, 220V, 18 KAIC							
USE: 2-8.0mm ² THHN WIRE STRANDED 20mmØ RSC									

SUB-PANEL BOARD 02

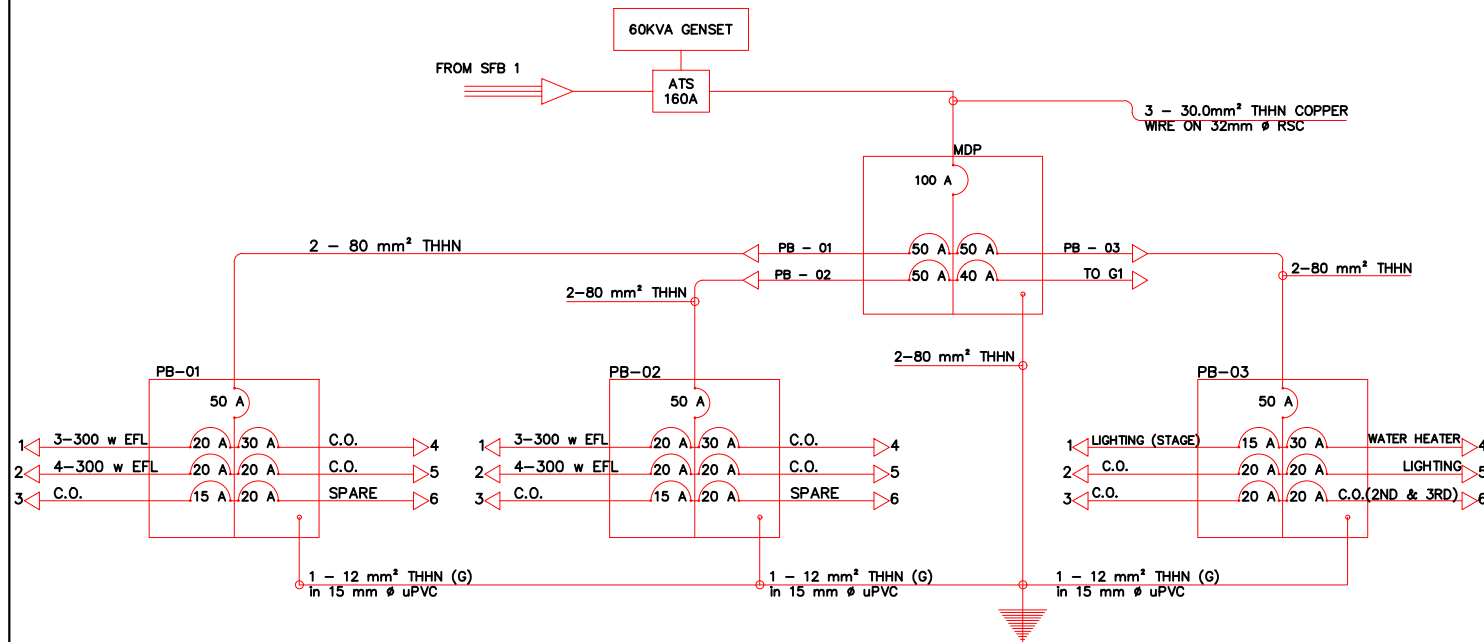
FLUSH MOUNTED, NEMA 3 ENCLOSURE WITH GROUND TERMINAL

CKT. NO.	LOAD DESCRIPTION	VOLTS	CKT BREAKER				SIZE OF WIRE	SIZE OF CONDUITS	
			A.T.	A.F.	POLE	KAIC			
1	LIGHTING (4-300 w EFL)	220	20		2		2-3.5 mm ² THHN STRANDED WIRE	15 mm Ø RSC	
2	LIGHTING (3-300 w EFL)	220	20		2		2-3.5 mm ² THHN STRANDED WIRE	15 mm Ø RSC	
3	LIGHTING (Perimeter, bench, control room)	220	15		2		2-3.5 mm ² THHN STRANDED WIRE	15 mm Ø RSC	
4	CONVENIENCE OUTLET (Bench, stage)	220	30		2		2-5.5 mm ² THHN STRANDED WIRE	15 mm Ø RSC	
5	CONVENIENCE OUTLET (Control room)	220	20		2		2-3.5 mm ² THHN STRANDED WIRE	15 mm Ø RSC	
6	SPARE	220	20		2		2-3.5 mm ² THHN STRANDED WIRE	15 mm Ø RSC	
TOTAL CONNECTED LOAD		MAIN : 50 AT, 50 AF, 2P, 220V, 18 KAIC							
USE: 2-8.0mm ² THHN WIRE STRANDED 20mmØ RSC									

SUB-PANEL BOARD 03

FLUSH MOUNTED, NEMA 3 ENCLOSURE WITH GROUND TERMINAL

CKT. NO.	LOAD DESCRIPTION	VOLTS	CKT BREAKER				SIZE OF WIRE	SIZE OF CONDUITS	
			A.T.	A.F.	POLE	KAIC			
1	LIGHTING (Ground floor)	220	15		2		2-3.5 mm ² THHN STRANDED WIRE	15 mm Ø RSC	
2	CONVENIENCE OUTLET (Ground Floor)	220	20		2		2-3.5 mm ² THHN STRANDED WIRE	15 mm Ø RSC	
3	CONVENIENCE OUTLET (Ground Floor)	220	20		2		2-3.5 mm ² THHN STRANDED WIRE	15 mm Ø RSC	
4	WATER HEATER	220	30		2		2-5.5 mm ² THHN STRANDED WIRE	15 mm Ø RSC	
5	LIGHTING (Second Floor & third floor)	220	20		2		2-3.5 mm ² THHN STRANDED WIRE	15 mm Ø RSC	
6	CONVENIENCE OUTLET (Second fir & Third fir)	220	20		2		2-3.5 mm ² THHN STRANDED WIRE	15 mm Ø RSC	
TOTAL CONNECTED LOAD		MAIN : 50 AT, 50 AF, 2P, 220V, 18 KAIC							
USE: 2-8.0mm ² THHN WIRE STRANDED 20mmØ RSC									



E RISER DIAGRAM
12 NOT DRAWN TO SCALE



PROJECT TITLE:
PROPOSED BCEZ MULTI-PURPOSE CENTER

LOCATION:
LOAKAN, BAGUIO CITY

PREPARED BY:
HENCIO G. BALINGGAN
ENGINEER III / Electrical Engr.

CHECKED BY:
JOSEPH C. GALONG
DIVISION CHIEF, EMD

RECOMMENDING APPROVAL BY:
PAUL M. CODAMON
DEPARTMENT MANAGER - OPERATIONS

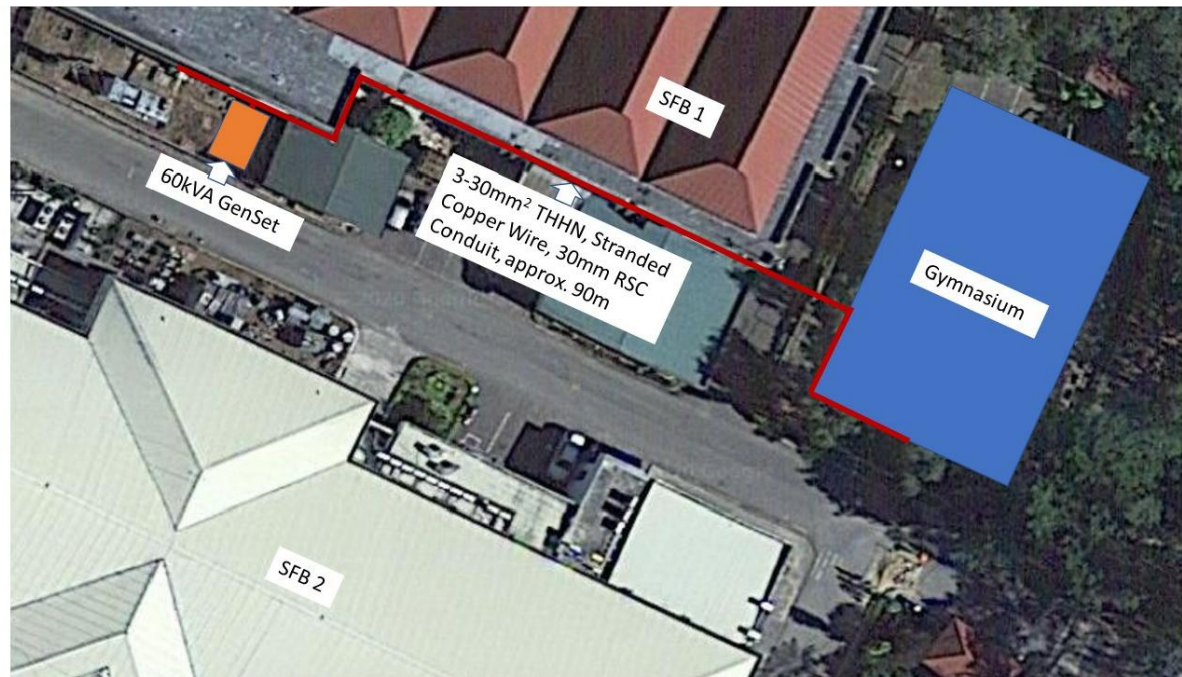
APPROVED BY:
ATTY. ROSS VINCENT S. SY
CIC - BAGUIO CITY ECONOMIC ZONE

SHEET CONTENT:

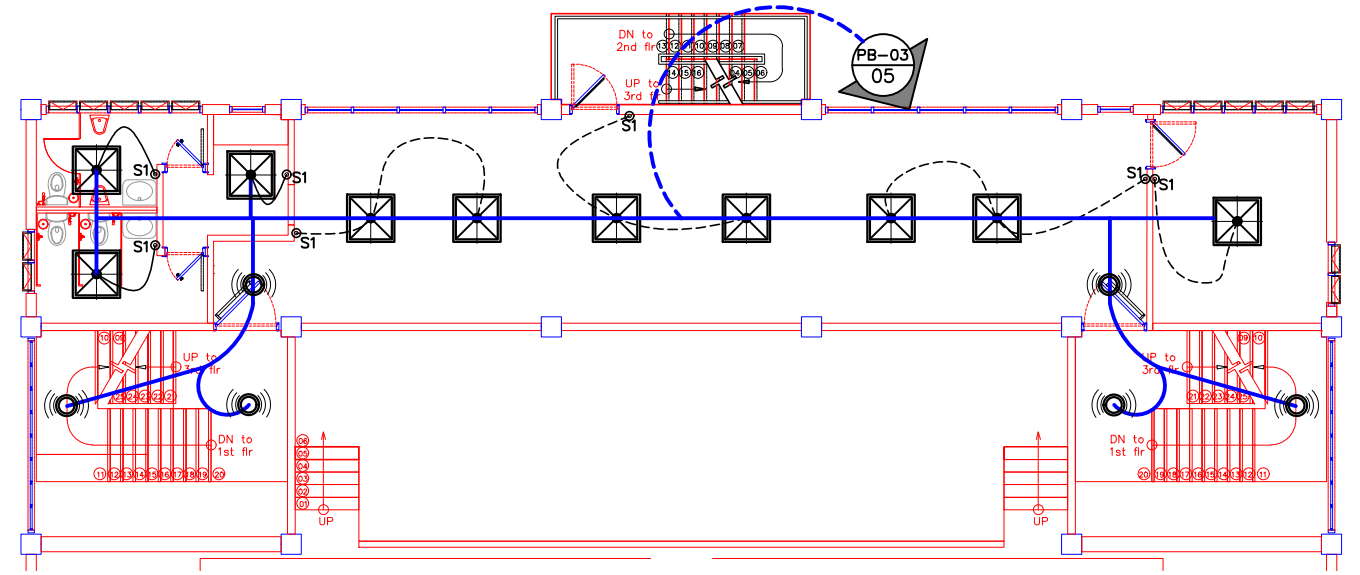
- GENERAL ELECTRICAL NOTES
- ELECTRICAL LEGENDS & SYMBOLS
- RISER DIAGRAM
- SCHEDULE OF LOAD AND COMPUTATION

SHEET NUMBER

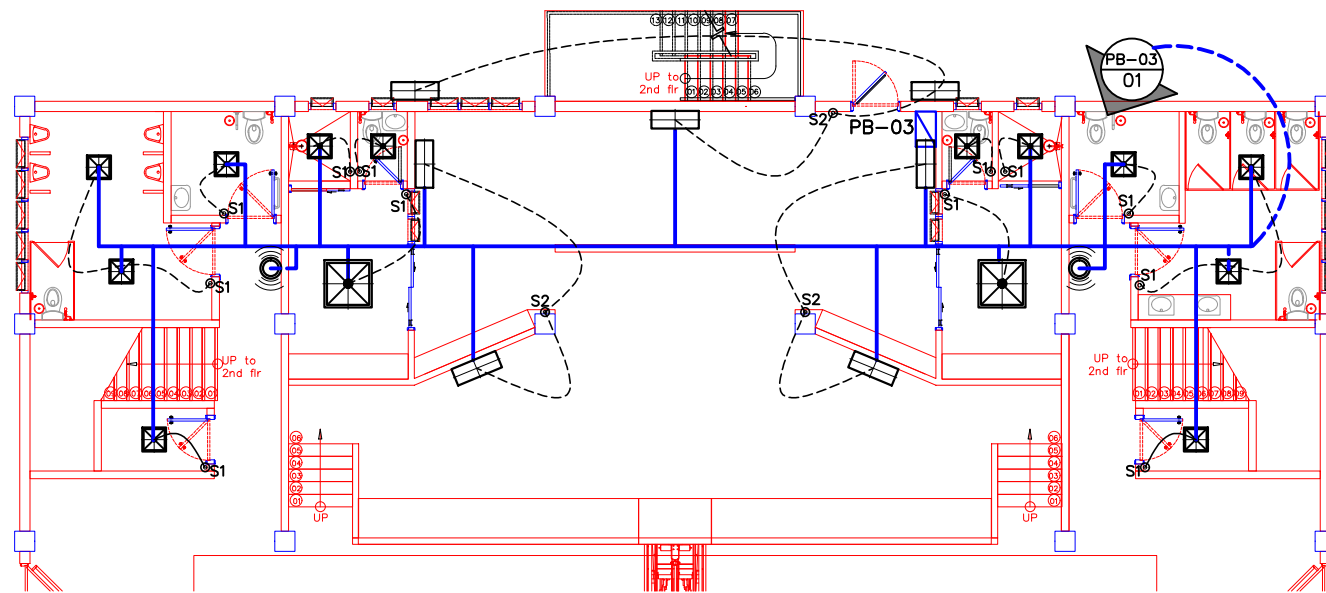
E	34
01	41
REV. NO. / DATE	
03 08-31-2021	



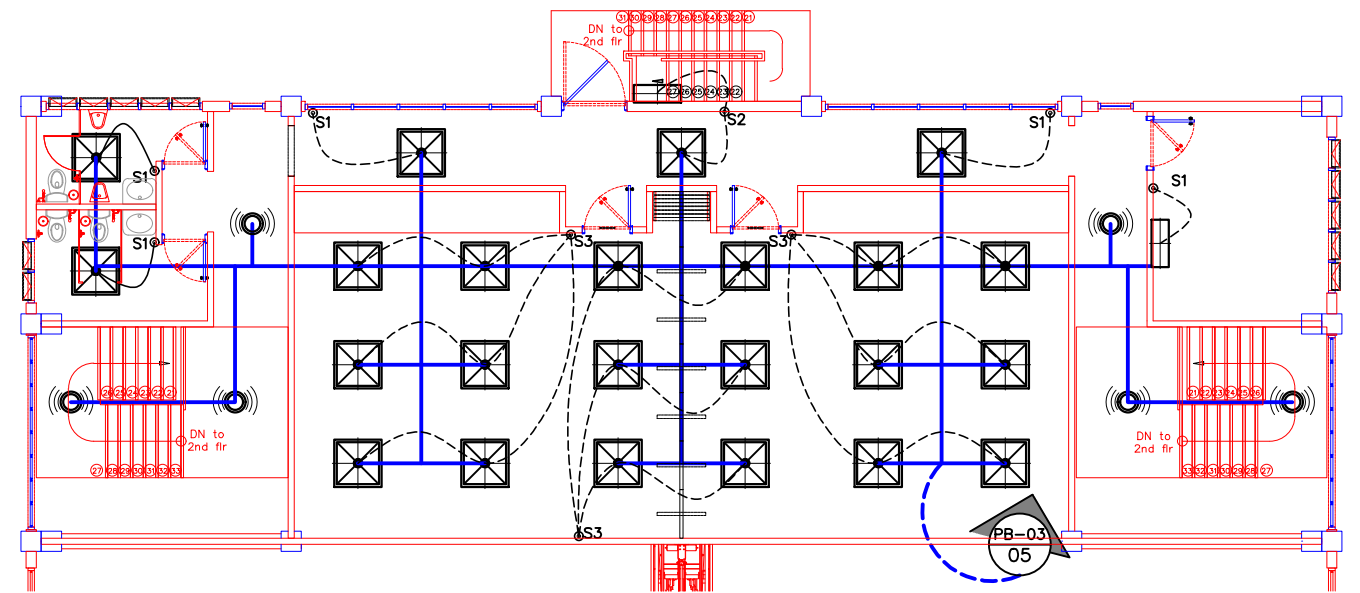
LOCATION OF GENSET
SCALE 1:200 M



SECOND FLOOR LIGHTING LAYOUT
SCALE 1:200 M



GROUND FLOOR LIGHTING LAYOUT
SCALE 1:200 M



THIRD FLOOR LIGHTING LAYOUT
SCALE 1:200 M



PROJECT TITLE:	PROPOSED BCEZ MULTI-PURPOSE CENTER
LOCATION:	LOAKAN, BAGUIO CITY

PREPARED BY:	HENCIO G. BALINGGAN ENGINEER III / Electrical Engr.
---------------------	--

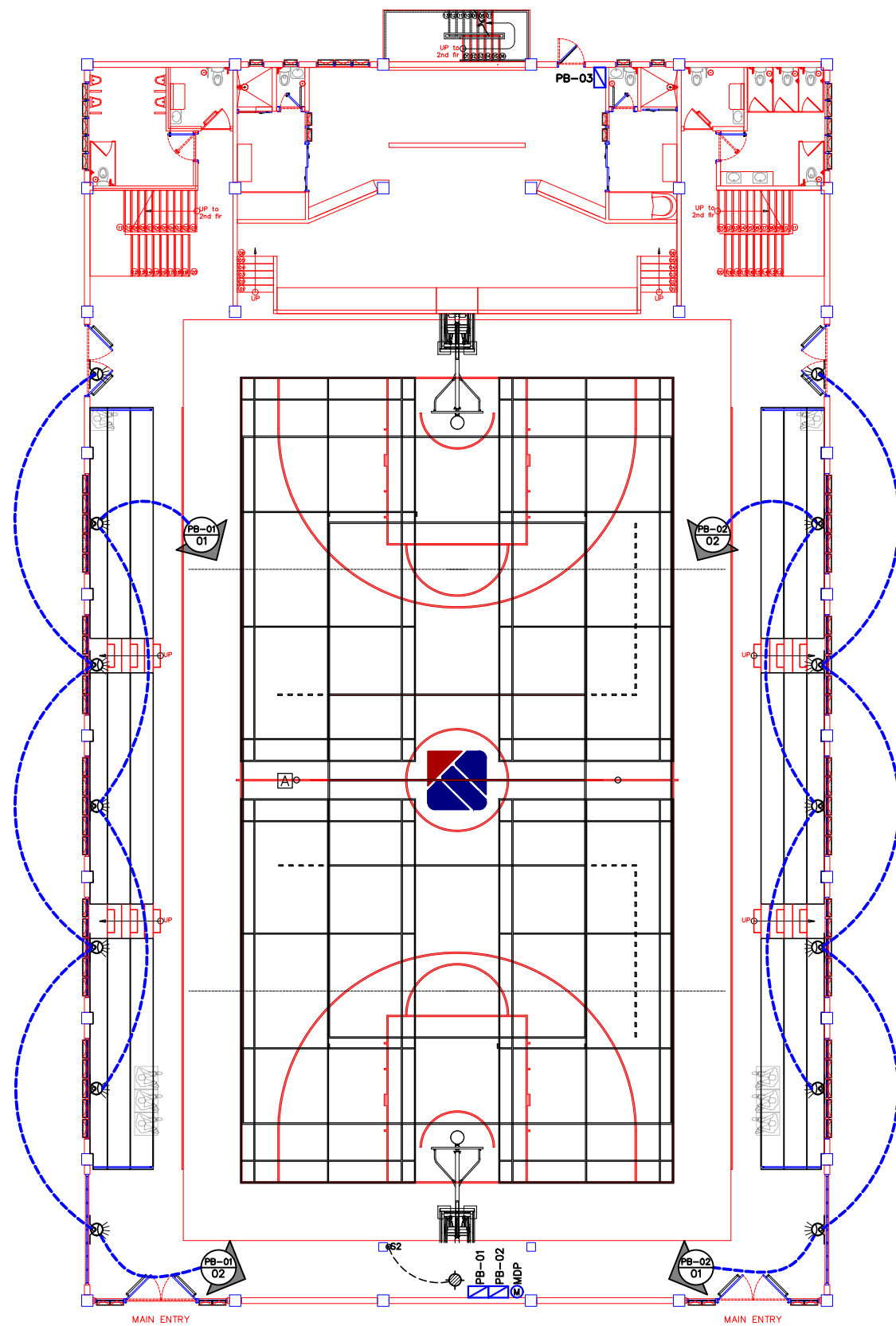
CHECKED BY:	JOSEPH C. GALONG DIVISION CHIEF, EMD
--------------------	---

RECOMMENDING APPROVAL BY:	PAUL M. CODAMON DEPARTMENT MANAGER - OPERATIONS
----------------------------------	--

APPROVED BY:	ATTY. ROSS VINCENT S. SY OIC - BAGUIO CITY ECONOMIC ZONE
---------------------	---

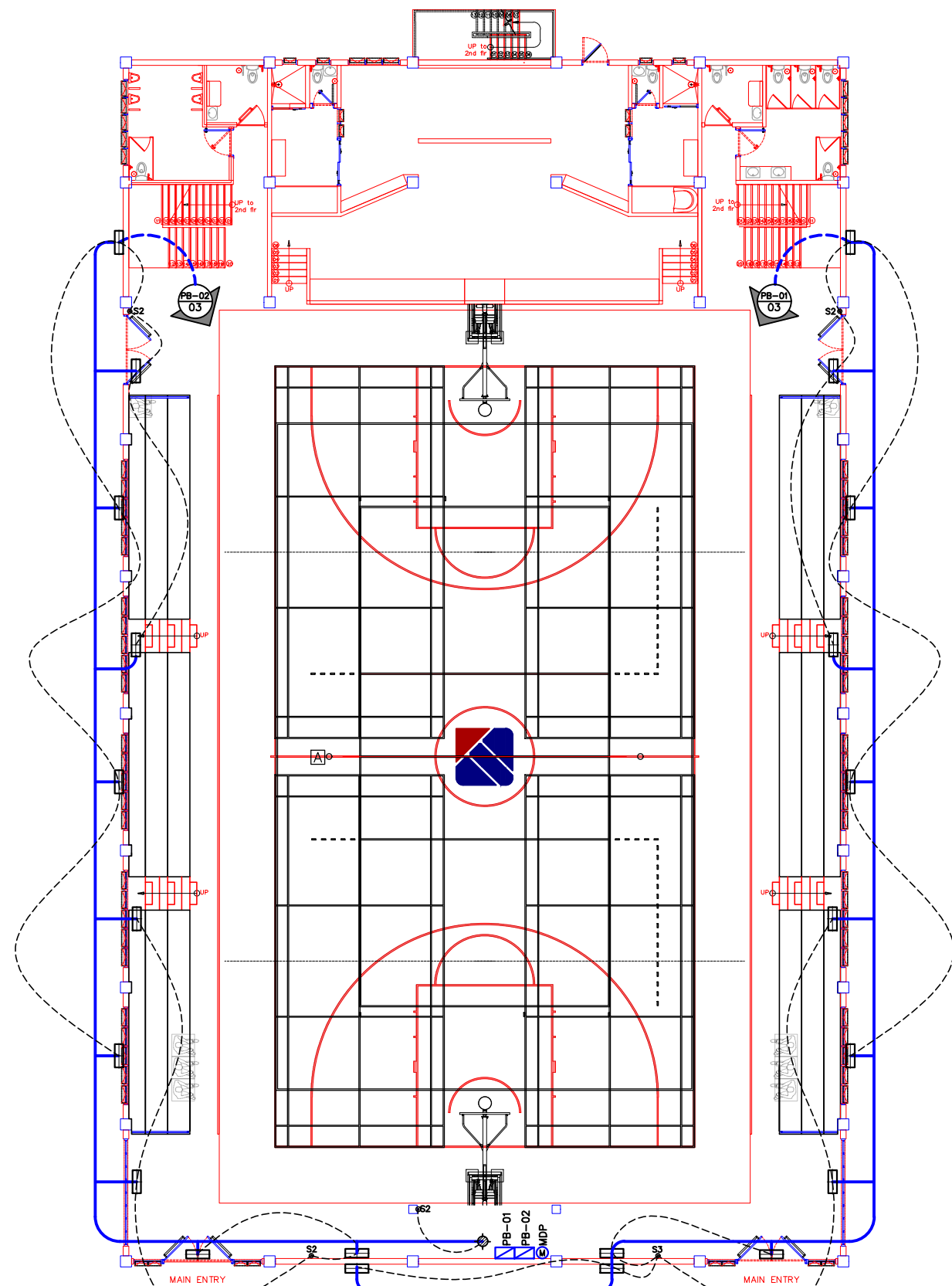
SHEET CONTENT:	<ul style="list-style-type: none"> LIGHTING LAYOUT GEN-SET LOCATION
-----------------------	---

SHEET NUMBER	<table border="1"> <tr> <td>E</td> <td>35A</td> </tr> <tr> <td>02</td> <td>41</td> </tr> </table>	E	35A	02	41
E	35A				
02	41				
REV. NO. / DATE	03 08-31-2021				



COURT/ PLAYING AREA LIGHTING LAYOUT 1

SCALE 1:200 M



COURT/ PLAYING AREA LIGHTING LAYOUT 2

SCALE 1:200 M



PROJECT TITLE:	PROPOSED BCEZ MULTI-PURPOSE CENTER
LOCATION:	LOAKAN, BAGUIO CITY

PREPARED BY:	HENCIO G. BALINGGAN ENGINEER III / Electrical Engr.
---------------------	--

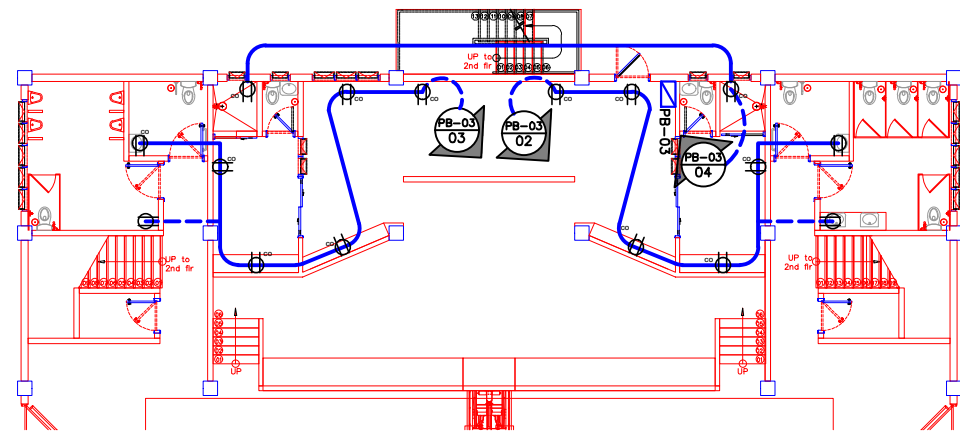
CHECKED BY:	JOSEPH C. GALONG DIVISION CHIEF, EMD
--------------------	---

RECOMMENDING APPROVAL BY:	PAUL M. CODAMON DEPARTMENT MANAGER - OPERATIONS
----------------------------------	--

APPROVED BY:	ATTY. ROSS VINCENT S. SY OIC - BAGUIO CITY ECONOMIC ZONE
---------------------	---

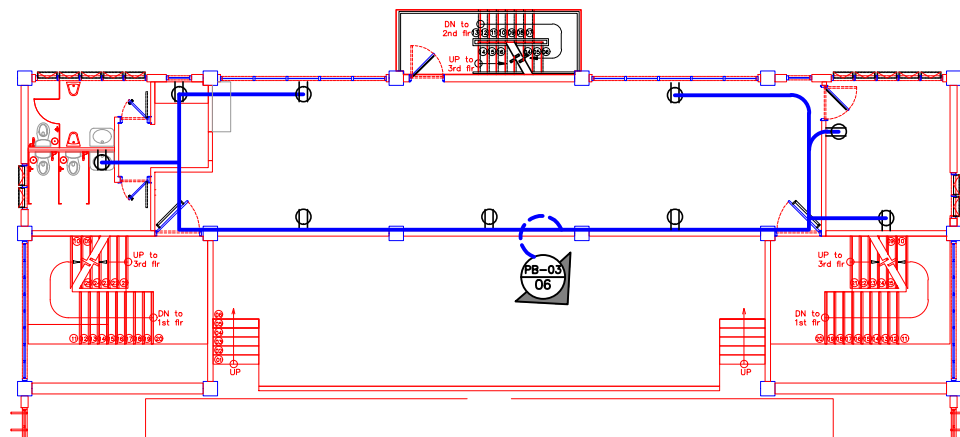
SHEET CONTENT:	• LIGHTING LAYOUT
-----------------------	-------------------

SHEET NUMBER	E 35B 02 41
REV. NO. / DATE	03 08-31-2021



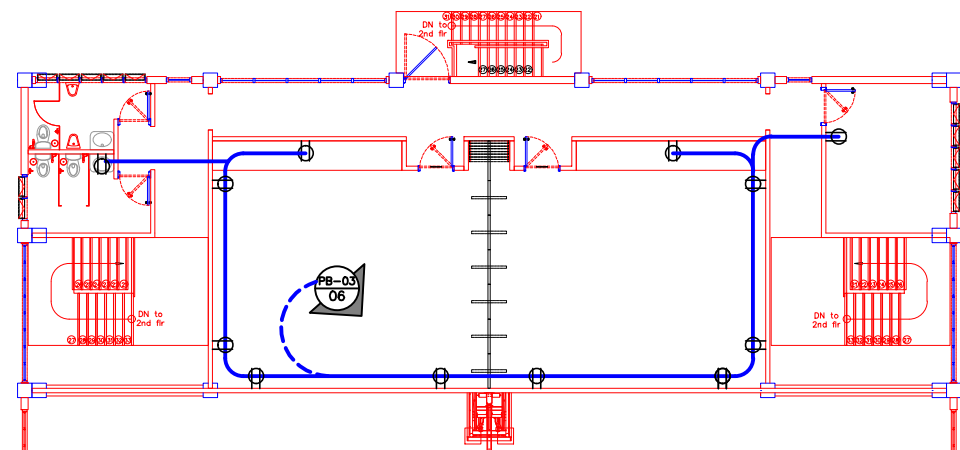
GROUND FLOOR POWER LAYOUT

SCALE 1:200 M



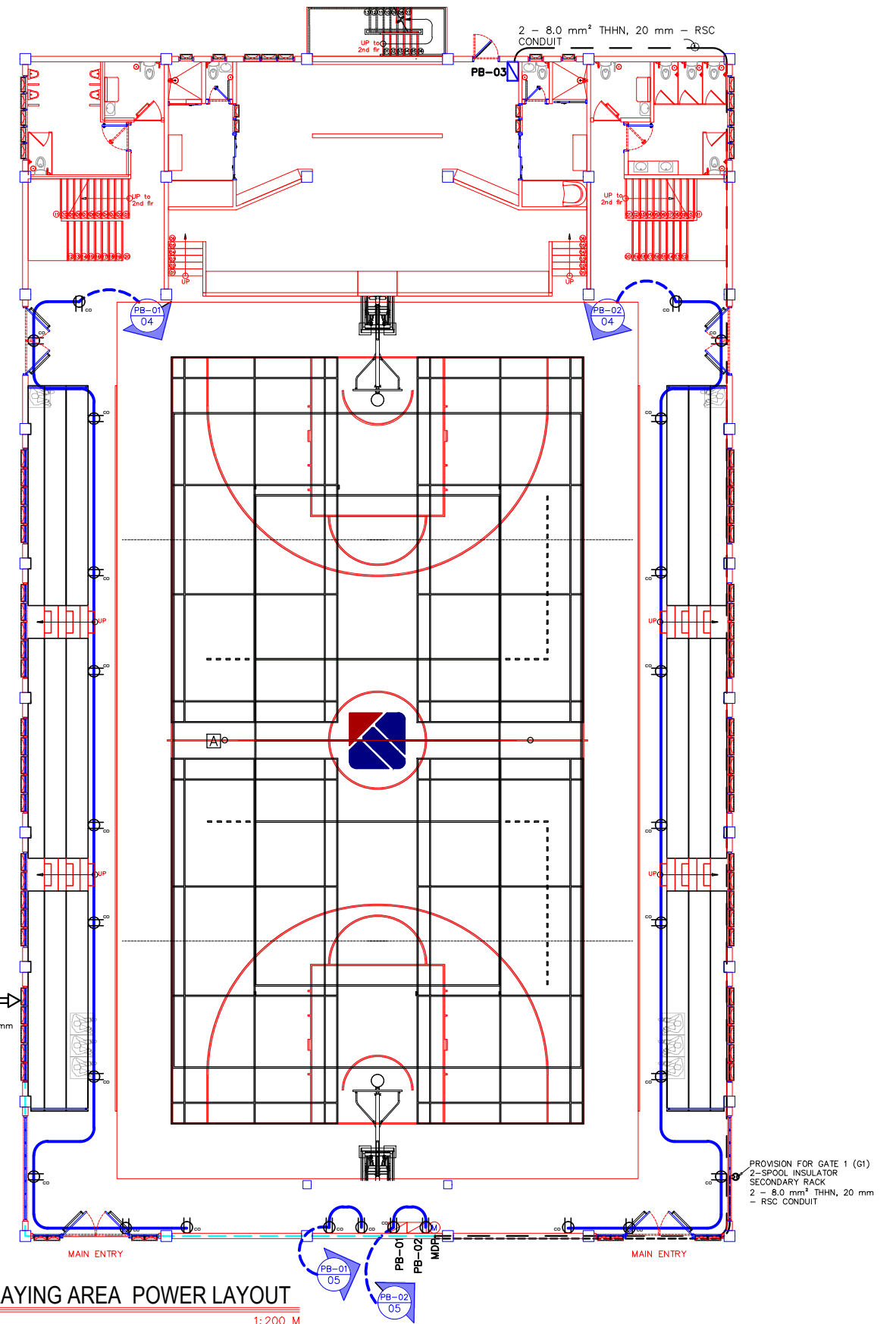
SECOND FLOOR POWER LAYOUT

SCALE 1:200 M



THIRD FLOOR POWER LAYOUT

SCALE 1:200 M




THIRD FLOOR POWCOURT/ PLAYING AREA POWER LAYOUT

SCALE 1:200 M

SERVICE ENTRANCE
3-SPOOL INSULATOR
SECONDARY RACK
3 - 30mm² THHN, 30 mm
- RSC CONDUIT

PROVISION FOR GATE 1 (G1)
2-SPOOL INSULATOR
SECONDARY RACK
2 - 8.0 mm² THHN, 20 mm
- RSC CONDUIT

 <p>Philippine Economic Zone Authority</p>	PROJECT TITLE:	PREPARED BY:	CHECKED BY:	RECOMMENDING APPROVAL BY:	APPROVED BY:	SHEET CONTENT:	SHEET NUMBER				
	PROPOSED BCEZ MULTI-PURPOSE CENTER	HENCIO G. BALINGGAN ENGINEER III / Electrical Engr.	JOSEPH C. GALONG DIVISION CHIEF, EMD	PAUL M. CODAMON DEPARTMENT MANAGER - OPERATIONS	ATTY. ROSS VINCENT S. SY OIC - BAGUIO CITY ECONOMIC ZONE	• POWER LAYOUT	<table border="1"> <tr> <td>E</td> <td>36</td> </tr> <tr> <td>03</td> <td>40</td> </tr> </table>	E	36	03	40
	E	36									
03	40										
LOCATION:	LOAKAN, BAGUIO CITY					REV. NO. /DATE	03 08-31-2021				